

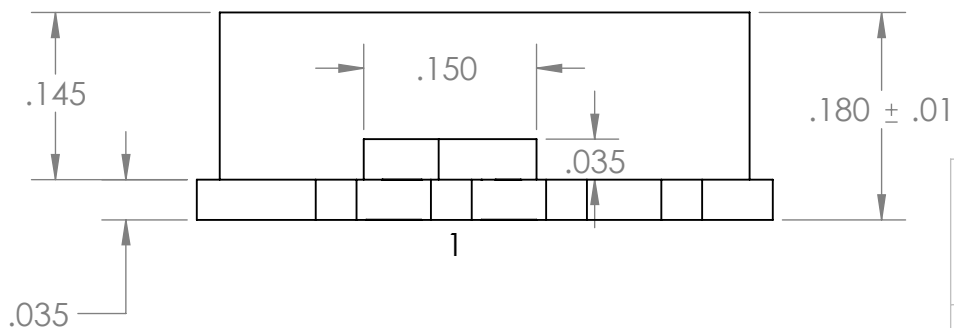
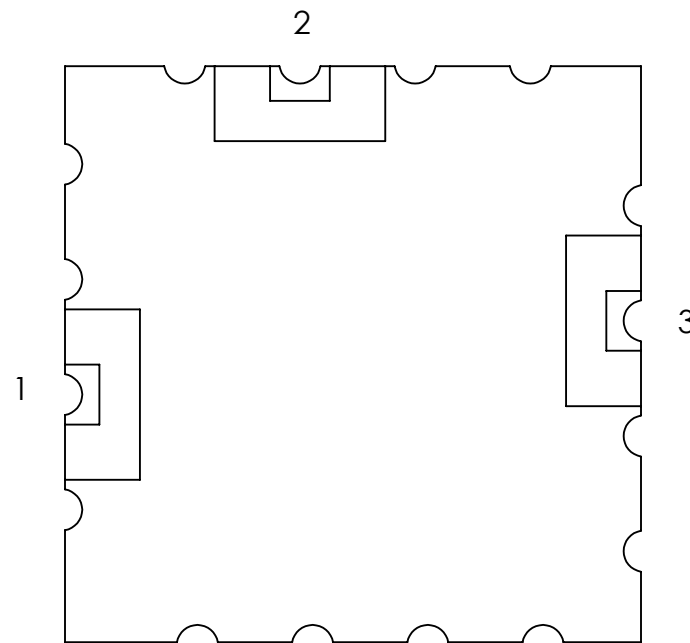
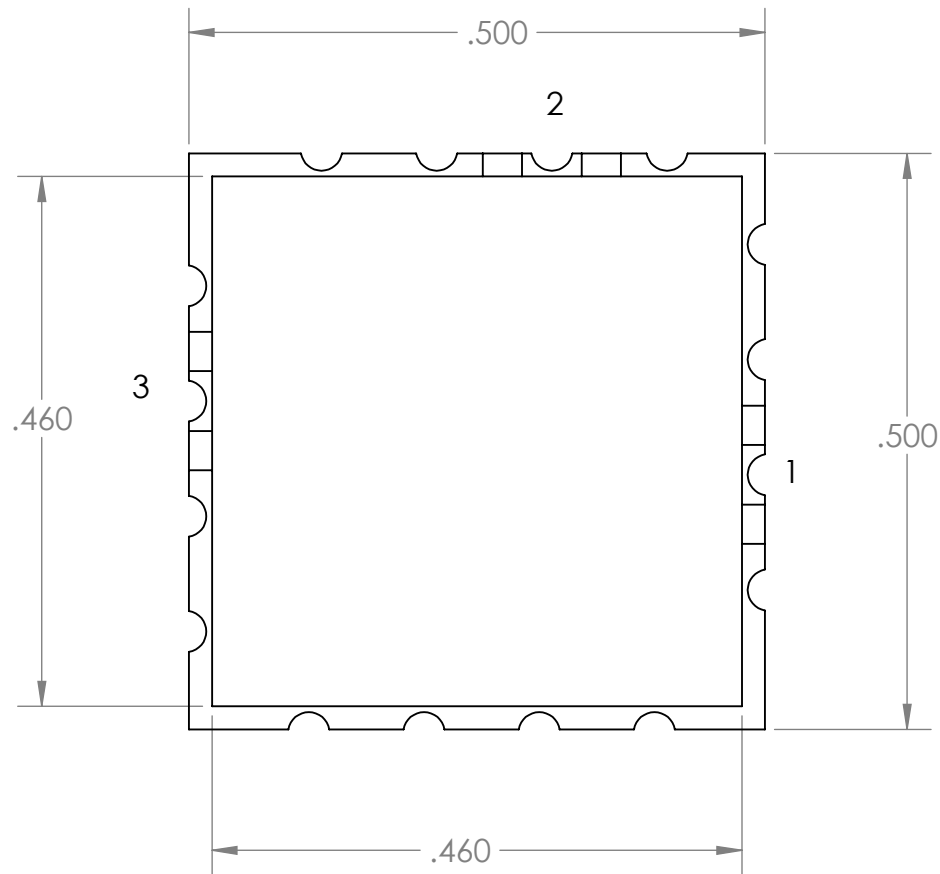


rev\_0            initial rev  
 rev\_1            bias

	<u>MIN</u>	<u>TYP</u>	<u>MAX</u>	<u>UNITS</u>	<u>NOTES</u>	<u>Production Test</u>	<u>First Article Test</u>
Frequency Range	1450		1900	MHz	1	..	..
Tuning Voltage	0.5		20.0	V	1	..	..
Modulation Sensitivity		29		MHz/V	1	..	..
Operates with Vtune = 0V					1	..	..
Output Power	5	7	9	dBm	1	..	..
Phase Noise @							
1 KHz Offset		-80		dBc/Hz	1	..	..
10 KHz Offset		-106		dBc/Hz	1	..	..
100 KHz Offset		-126		dBc/Hz	1	..	..
1 MHz Offset		-146		dBc/Hz	1	..	..
10 MHz Offset		-166		dBc/Hz	1	..	..
Pushing		1		MHz/V	3	..	..
Pulling (12 dB R.L.)		7		MHz <sub>p-p</sub>	3	..	..
Modulation Bandwidth		100		MHz	4	..	..
Tuning Port Capacitance		47		pF	2	..	..
Harmonics		-15	-7	dBc	3	..	..
Vcc		10		V		..	..
Icc		35		mA	1	..	..
Operating Temperature	-40		+85	C	3	..	..
Package		SMUA			6		
LxW		0.500		inch sq.	5	..	..
Height		0.180		inch	5	..	..

**Notes**

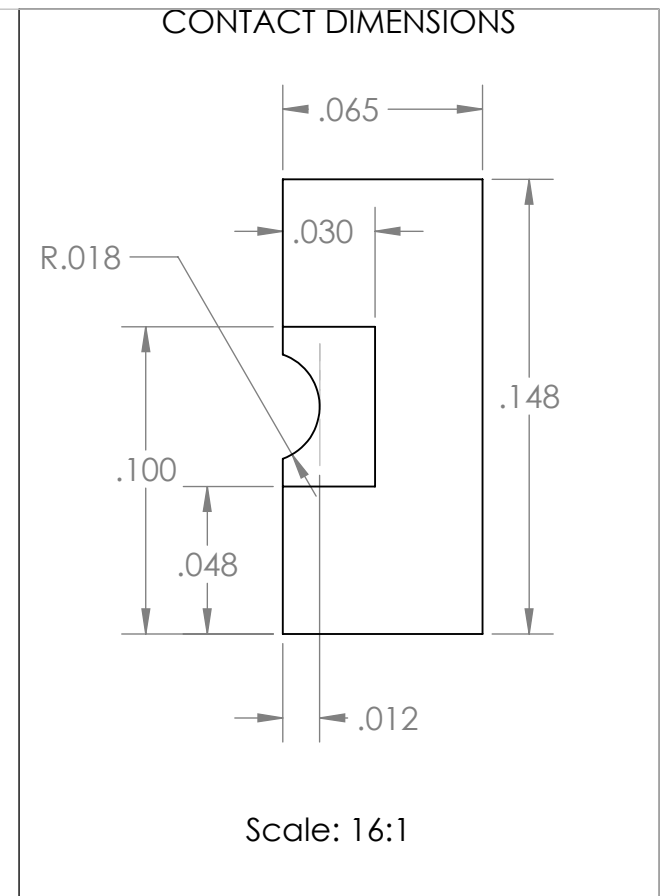
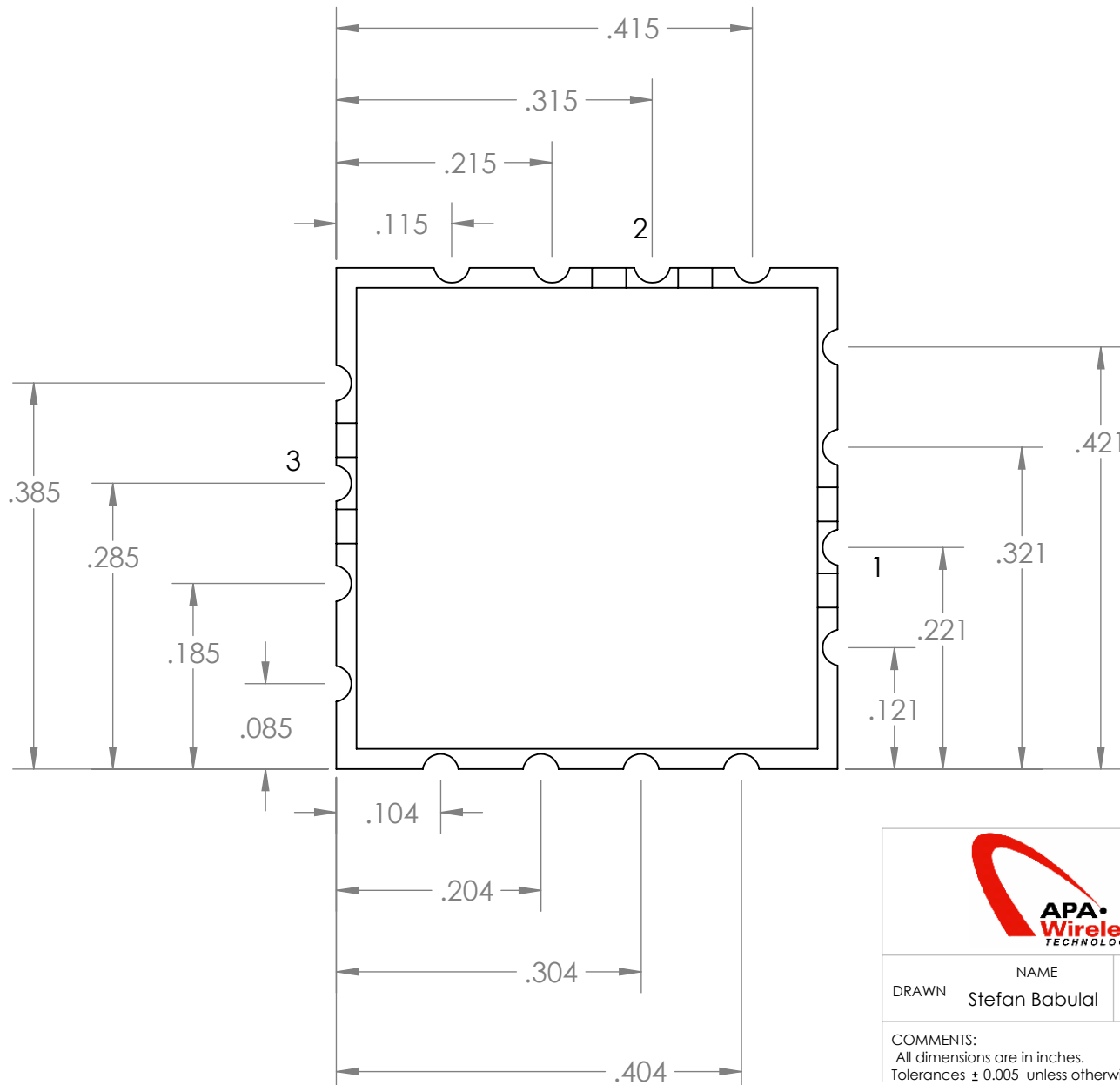
1. Tested in production, and guaranteed
2. Per current design, not a tested parameter
3. Sample tested from production lot
4. Not a tested or guaranteed design goal
5. By inspection
6. RoHS Compliant




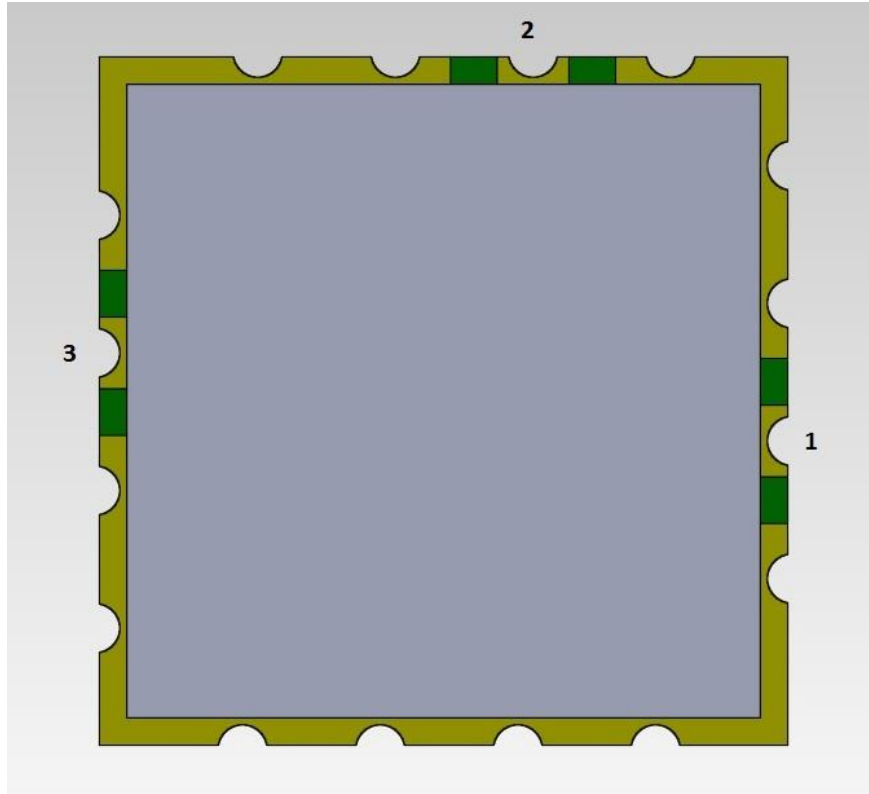
CONTACT ASSIGNMENTS
1. RF OUT
2. SUPPLY INPUT
3. TUNING VOLTAGE INPUT
ALL OTHER CONTACTS ARE GROUND



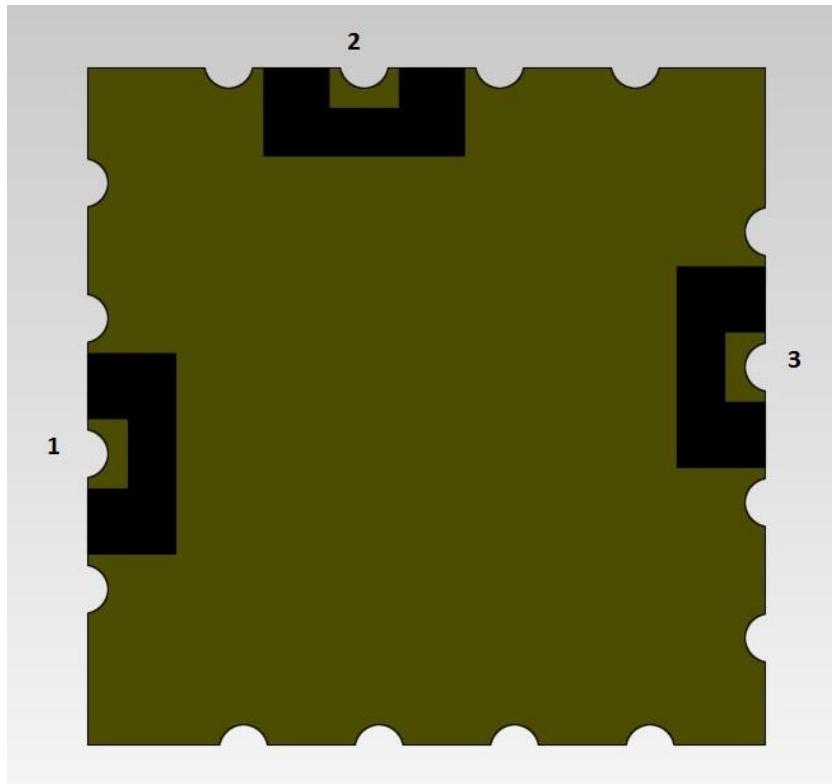
DRAWN		NAME	DATE	TITLE:	
Stefan Babulal		Stefan Babulal	2/17/2017	R145190SMUA10_180	
COMMENTS:		SIZE	DWG. NO.	REV	
All dimensions are in inches. Tolerances ± 0.005 unless otherwise noted		<b>A</b>	1		
		SCALE: 6:1	unit: inch	SHEET 1 OF 2	



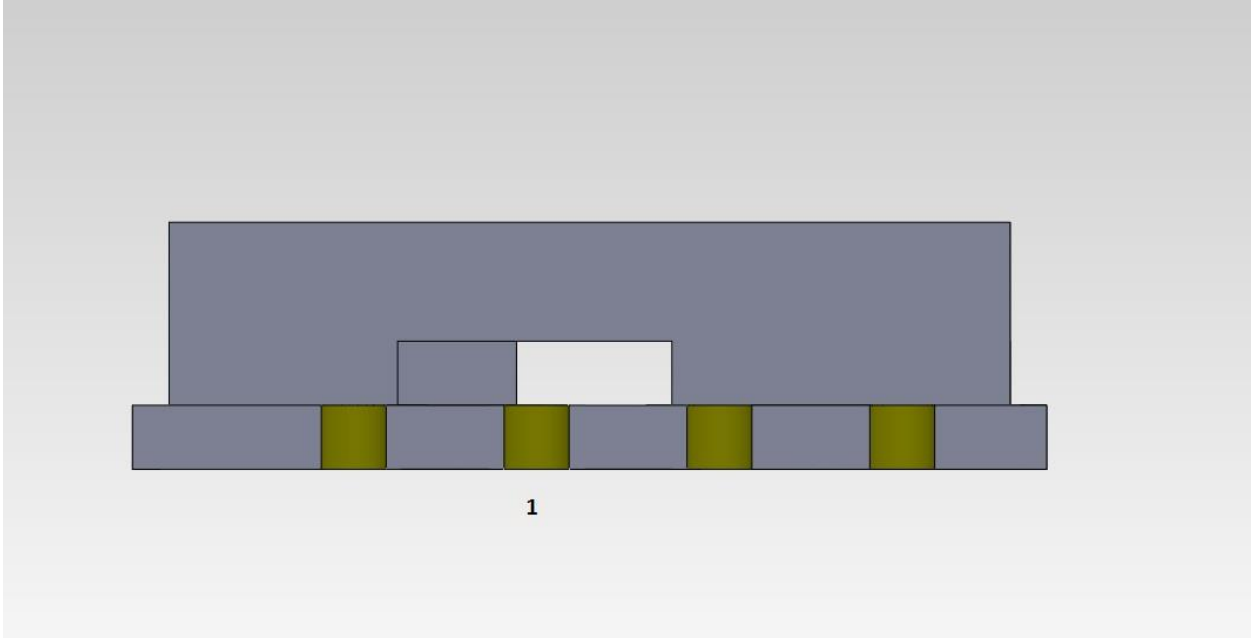
		TITLE:	
		R145190SMUA10_180	
DRAWN	NAME Stefan Babulal	DATE 2/17/2017	REV
COMMENTS: All dimensions are in inches. Tolerances ± 0.005 unless otherwise noted		<b>A</b>	1
SCALE: 6:1		unit: inch	SHEET 2 OF 2



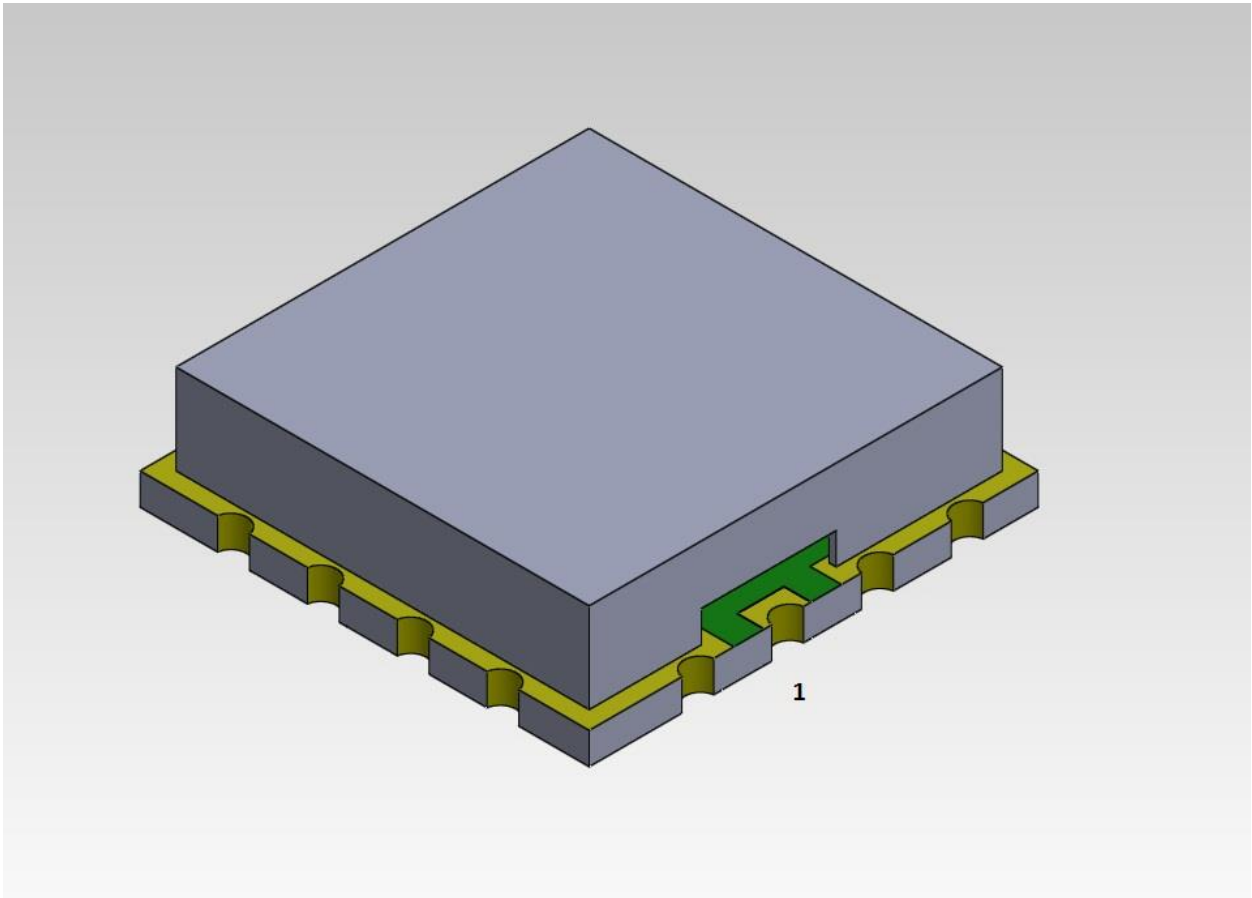
TOP VIEW



BOTTOM VIEW (INVERTED)



SIDE VIEW



ISOMETRIC VIEW